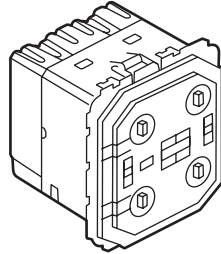
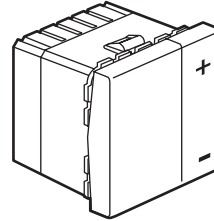


Eco-dimmer

Catalogue number(s): 0 670 83 - 0 488 70L - 0 488 71
 0 784 07 - 0 791 07L - 0 792 07 - 6 651 14 - 5 722 39 - 5 727 39 - 5 743 10/19/39
 7 520 62 - 7 521 62 - 7 522 62 - 7 523 62 - 7 563 82



0 670 83



0 784 07

1. USE

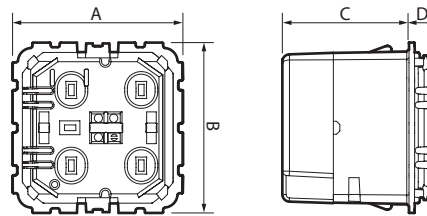
Comfort with dimming:
 2-wire eco-dimmer for any type of energy efficient lamp:

- Dimmable LED
- Dimmable compact fluorescent
- Fluorescent
- Halogen

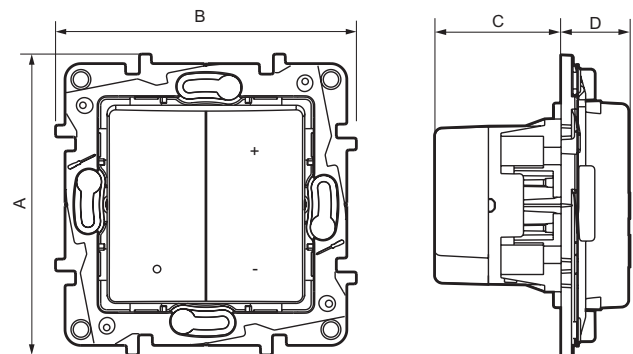
2. RANGE

Description	Colour	Cat. Nos.
Céliane eco-dimmer	-	0 670 83
Niloé eco-dimmer	White	6 651 14
Niloé eco-dimmer - ready-to-install kit	White	0 488 71
Mosaic eco-dimmer	White	0 784 07
Mosaic eco-dimmer	Aluminium	0 792 07
Mosaic eco-dimmer	Noir mat	0 791 07L
Mosaic eco-dimmer - ready-to-install kit	White	0 488 70L
Arteor square eco-dimmer	White	5 722 39
Arteor square eco-dimme	Aluminium	5 727 39
Arteor round eco-dimmer	White	5 743 19
Arteor round eco-dimmer	Magnesium	5 743 39
Arteor round eco-dimmer	Soft Alu	5 743 10
Valena INMATIC eco-dimmer	-	7 520 62
Valena eco-dimmer	White	7 521 62
Valena eco-dimmer	Ivory	7 522 62
Valena eco-dimmer	Aluminium	7 523 62
Valena eco-dimmer	Black	7 563 82

3. DIMENSIONS (mm)



Cat. Nos.	A	B	C	D
0 670 83	45	45	33.5	7.5
0 784 07 - 0 791 07L - 0 792 07	45	45	33.5	9.5
5 722 39 - 5 727 39 5 743 10/19/39	45	45	33.5	9.5

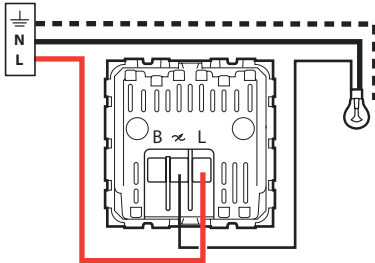


Cat. Nos.	A	B	C	D
0 488 70L 0 488 71	82	82	33.5	9.5
6 651 14	80	80	30	20
7 520 62	74.7	74.7	32	8.5
7 521 62 7 522 62 7 523 62 7 563 82	74.7	74.7	32	11.5

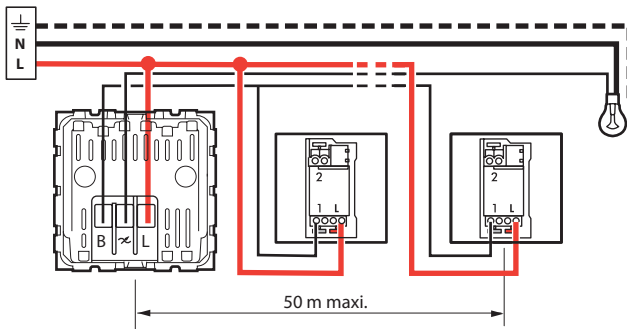
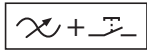
4. CONNECTION

Screw terminals
 Terminal capacity: 2 x 2.5 mm²
 Stripping length: 8 mm

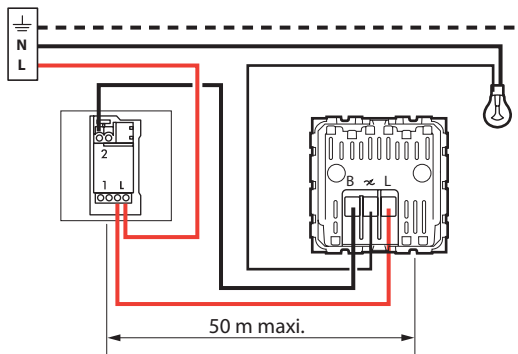
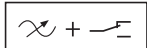
5. WIRING



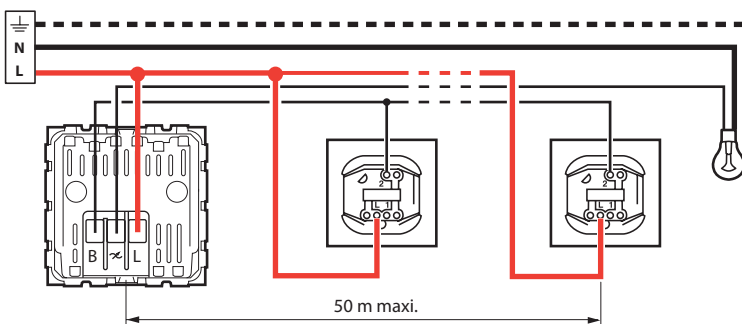
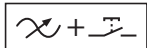
Wiring with Céliane pushbutton



Wiring two-way switch

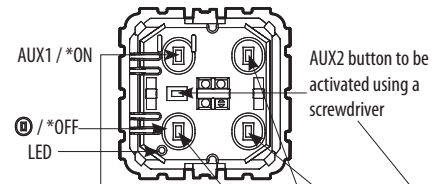


Wiring with Niloé pushbutton



6. OPERATION

In order to start up the different usage types, unclip the rocker plates and press the buttons shown in the panel for 2 seconds.



Usage types	ON	Ⓢ	+	-	AUX
Restore to factory configuration (load recognition, capacitive mode, pushbutton assembly, level memory)	X	X	X	X	
Level memory activation	X	X	X		
Level memory deactivation	X	X		X	
Forced capacitive mode (no load recognition)	X	X		X	X
Forced inductive mode (no load recognition)	X	X	X		X
Children's bedrooms (pre-set levels + night light)	X	X			X
Pre-set levels mode			X	X	X
Dimmer mode		X	X		X
Two-way switch mode	X	X			
Pushbutton mode			X	X	

*ON/OFF : button ON/OFF for Mosaic

The LED shows the dimmer status after the AUX button has been pressed.

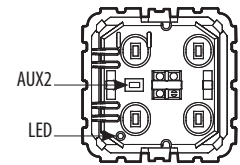
LED colour code:

Auto-capacitive	Continuous red → factory configuration
Forced capacitive	Flashing red
Auto-inductive	Continuous green
Forced inductive	Flashing green

6. OPERATION (continued)

■ Troubleshooting

PROBLEM	CAUSES	SOLUTIONS
The lamp does not switch on	<ul style="list-style-type: none"> . The circuit is not powered up . The dimmer is not wired correctly . The lamp is broken . The dimmer is broken . The dimmer is in two-way switch mode and is wired with a pushbutton (the status LED is flashing blue) 	<ul style="list-style-type: none"> . Power up . Check the wiring . Replace the lamp . Replace the dimmer . Switch off the mains power to the dimmer circuit (reset the dimmer) and force the dimmer to pushbutton mode (see manual)
The lamp is flickering and cannot be dimmed	<ul style="list-style-type: none"> . The lamp is not dimmable . The ballast is not dimmable . The lamp and ballast are not compatible . The dimmer is broken 	<ul style="list-style-type: none"> . Replace the lamp with a dimmable lamp . Replace the ballast with a dimmable ballast . Replace the lamp or the ballast to make them compatible . Replace the dimmer
Dimming is not working correctly: (stop/restart; dimming intermittently, etc.)	<ul style="list-style-type: none"> . The dimmer is in a mode that is not compatible with the load 	<ul style="list-style-type: none"> . Press the AUX2 button to switch on the status LED - If the LED is green, set the dimmer to capacitive mode (see manual) - If the LED is red, set the dimmer to inductive mode (see manual)
The lamp is flickering at max. lighting	Technical characteristics of the lamp	Adjust the upper threshold (see manual)
The lamp is flickering at min. lighting	Technical characteristics of the lamp	Adjust the lower threshold (see manual)
The lamp switches on but it cannot be dimmed or switched off	<ul style="list-style-type: none"> . The dimmer is in pushbutton mode and is wired with a two-way switch (status LED ?) 	Force the dimmer to two-way switch mode (see manual)
The lamp switches on unexpectedly by itself	<ul style="list-style-type: none"> . The dimmer is faulty 	<ul style="list-style-type: none"> . Replace the dimmer
The lamp is making a noise	<ul style="list-style-type: none"> . The dimmer is in a mode that is not compatible with the load . The lamp is not dimmable, or can only be dimmed a little 	<ul style="list-style-type: none"> . Press the AUX2 button, etc. (see above) . Replace the lamp
The dimmer is making a noise	<ul style="list-style-type: none"> . The dimmer is in a mode that is not compatible with the load 	<ul style="list-style-type: none"> . Press the AUX2 button, etc. (see above)



7. TECHNICAL FEATURES

■ 7.1 Admissible loads

		R		L		C/L			
								Dimmable 	Dimmable LED
240 V	Max.	400 W	400 W	400 VA	200 VA	400 VA	200 VA	75 VA or 10 lamps max.	75 VA or 10 lamps max.
	Min.	3 W	3 W	3 VA	3 VA	3 VA	3 VA	3 VA	3 VA
100 V	Max.	200 W	200 W	200 VA	100 VA	200 VA	100 VA	37 VA or 10 lamps max.	37 VA or 10 lamps max.
	Min.	3 W	3 W	3 VA	3 VA	3 VA	3 VA	3 VA	3 VA

Do not mix different load types on the same product.
 (1) Only use transformers designed to operate with electronic switches.
 (2) Operates with most dimmable lamps available on the market. In view of the wide variety of such lamps and the absence of relevant standards, a prior test should be carried out to make sure lamps are compatible with the eco-dimmer.

7. TECHNICAL FEATURES *(continued)*

■ 7.2 Protection class

IP 40: assembled product
IP 20: without rocker plate
IK 02

■ 7.3 Material characteristics

Case: Polycarbonate
Rocker plate: ABS or PC

Halogen-free
UV-resistance

Self-extinguishing:

850°C/30 s for insulating components holding live parts in place.
650°C/30 s for other insulating components.

■ 7.4 Electrical characteristics

Voltage: 100 to 240 Vac
Frequency: 50/60 Hz
Consumption on standby: 0.1 W

■ 7.5 Climate characteristics

Storage temperature: -10°C to +70°C
Usage temperature: 0°C to +35°C

8. MAINTENANCE

Clean the surface with a cloth.

Do not use: acetone, tar-removing cleaning agents or trichloroethylene.

Caution: Always test before using other special cleaning products.

9. STANDARDS AND APPROVALS

Compliant with installation and manufacturing standards.
See e-catalogue.